



**Work Supports**

**Extending hydraulically – contact by spring force, double acting, max. operating pressure 500 bar**



**Application**

Hydraulic work supports are used to provide a self-adjusting rest for the workpiece during the machining operations. They compensate the workpiece surface irregularities, also deflection and vibration under machining loads. It is recommended to use double-acting elements if applied in larger hydraulic clamping fixtures with long lines, especially if the return oil is cycled and has to return in a predetermined time.

**Description**

This hydraulic work support contains a double-acting sliding cylinder. The support plunger is retracted in off-position.

When pressurised at "A", the piston pushes the support plunger against the inserted workpiece by means of spring force. As soon as the piston has touched the internal stop, the pressure rises and the support plunger is hydraulically locked.

With type 1911 006, it is possible to effect locking separately through port "K".

For unclamping, port "A" is depressurised and port "E" is pressurised. The locking is released so that the hydraulic piston can pull back the support plunger to the off-position.

The internal part of the work support is protected against dust and swarf by a sintered metal air filter.

**Important notes!**

If there is any danger of fluids being sucked into the filter, a vent hose has to be connected.

The contact bolt must only be removed if it is replaced by another contact bolt with 12 mm thread length.

Spring force should not be used to lift workpieces.

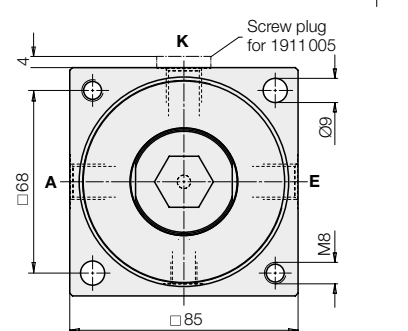
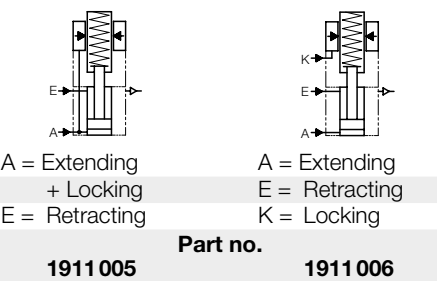
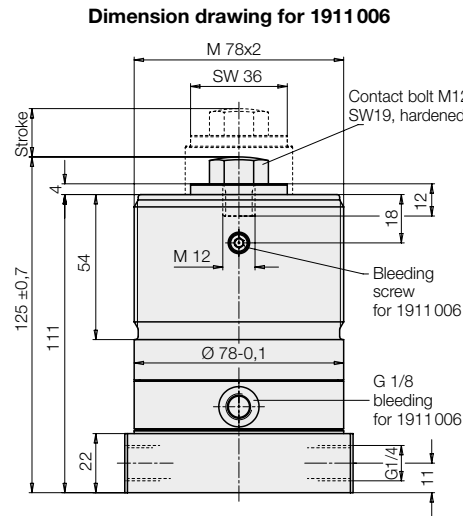
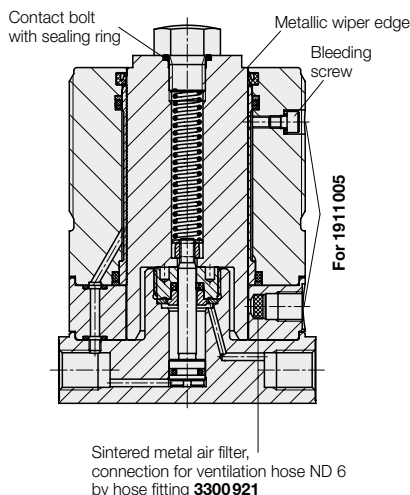
Contact bolts and extensions with large weight can influence the function of this component. Work supports are not suitable to compensate side loads.

Work supports must only be operated with a sealed contact bolt.

In dry machining applications, with minimum quantity lubrication or in case of accumulation of very small swarf, there can be a swarf hold-up in the area of the metallic wiper edge.

Remedy: Regular cleaning.

Operating conditions, tolerances and other data see data sheet A 0.100.

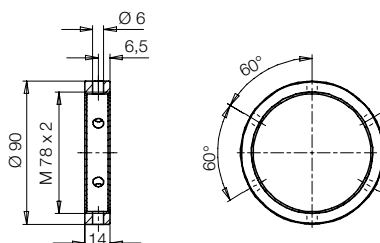


**Accessories**

Capstan nut

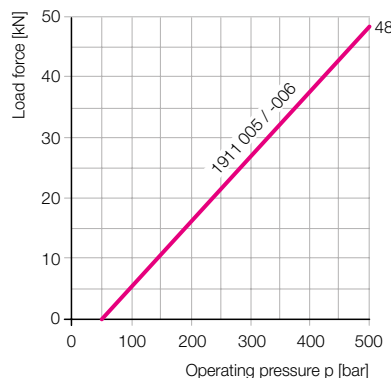
Part no.

**3522 007**



Bolt Ø	[mm]	40
Stroke	[mm]	18 <sup>+0.7</sup> <sub>-0.6</sub>
Adm. load force	100 bar [kN]	5
	500 bar [kN]	48
Plunger contact force	[N]	50–100
Recom. mini. pressure supporting	[bar]	100
Recom. mini. pressure retracting	[bar]	20
Oil volume/stroke	[cm <sup>3</sup> ]	2
<b>Max. flow rate</b>	[cm <sup>3</sup> /s]	25
Weight	[kg]	4.1

**Admissible load F as a function of the operating pressure p**



**Max. elastic deformations s as a function of support force F**

