



Directional Control Valves ND 4
manually operated, max. operating pressure 500 bar



General information

Type	poppet valve hermetically sealed
Type of connection	subplate mounted (see accessories)
Port size	G 1/4
Weight, approx.	0.4 kg

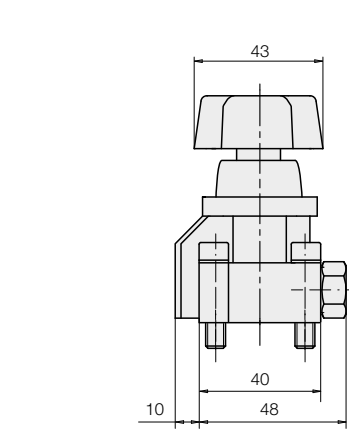
Hydraulic parameters

Adm. operating pressure	500 bar
Adm. flow rate	8 l/min
Direction of flow	only in direction of arrow as in symbol
Hydraulic oil	HLP 22

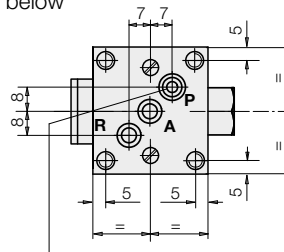
Type of operation

Manually operated	
Rotation angle	90°
Operating torque	0.63 Nm

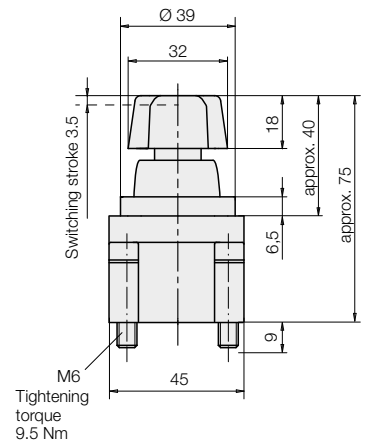
Double-acting function see data sheet C 2.345



View from below



Bore hole for
plug-in check valve

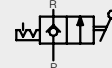


Sealing (spare part)	Part no.
at A : O-ring Ø 5x1.5	3000340
at P : O-ring Ø 8x1.5	3000343
at R : O-ring Ø 8x1.5	3000343
Plug-in check valve (spare part)	3815002

Description

2/2 directional control valve without check valve

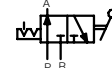
Symbol



Part no.

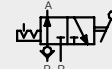
2321 302

3/2 directional control valve without check valve



2321 201

3/2 directional control valve with built-in check valve

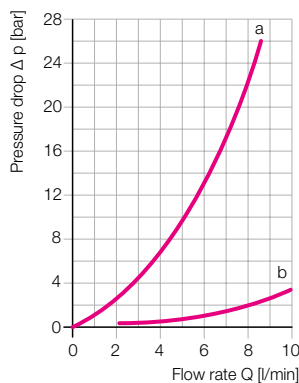


2321 300

Accessory

Single mounting plate 3 x G1/4 **3534039**

Δp -Q characteristic curve for kinematic viscosity
of $53 \times 10^{-6} \text{ m}^2/\text{s}$ (HLP 22 at 20 °C)



a = directional control valve P → A and A → R
b = plug-in check valve

