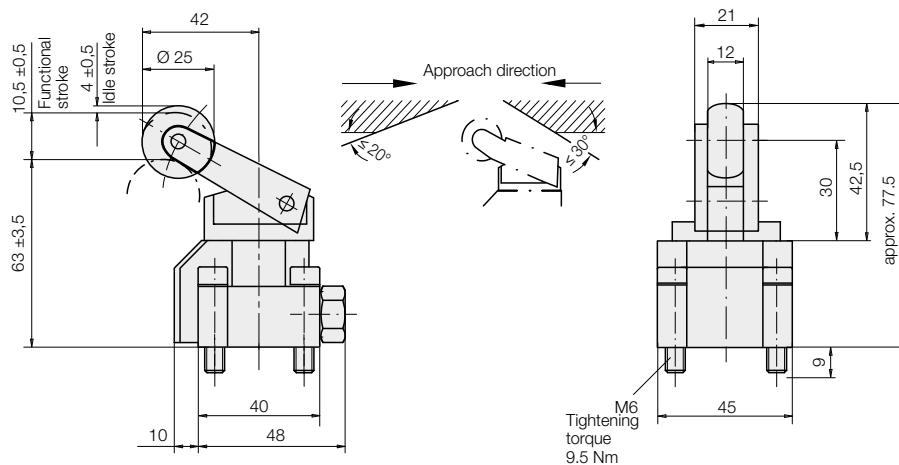
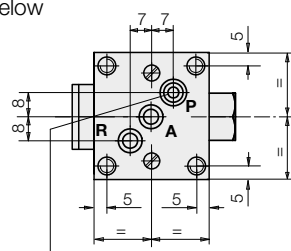


## Directional Control Valves ND 4

mechanically operated, max. operating pressure 500 bar



View from below



Bore hole for plug-in check valve

### General information

|                    |                                       |
|--------------------|---------------------------------------|
| Type               | poppet valve<br>hermetically sealed   |
| Type of connection | subplate mounted<br>(see accessories) |
| Port size          | G 1/4                                 |
| Weight, approx.    | 0.4 kg                                |

### Hydraulic parameters

|                         |  |
|-------------------------|--|
| Adm. operating pressure | 500 bar                                    |
| Adm. flow rate          | 8 l/min                                    |
| Direction of flow       | only in direction of<br>arrow as in symbol |
| Hydraulic oil           | HLP 22                                     |

### Type of operation

|                              |                            |
|------------------------------|----------------------------|
| mechanically by roller lever |                            |
| Operating force              | 28 N at 500 bar<br>approx. |

### Sealing (spare part)

|                                     | Part no.       |
|-------------------------------------|----------------|
| at <b>A</b> : O-ring Ø 5x1.5        | <b>3000340</b> |
| at <b>P</b> : O-ring Ø 8x1.5        | <b>3000343</b> |
| at <b>R</b> : O-ring Ø 8x1.5        | <b>3000343</b> |
| Plug-in check valve<br>(spare part) | <b>3815002</b> |

### Description

3/2 directional control valve without check valve

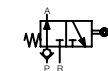
### Symbol



### Part no.

**2341 101**

3/2 directional control valve with built-in check valve



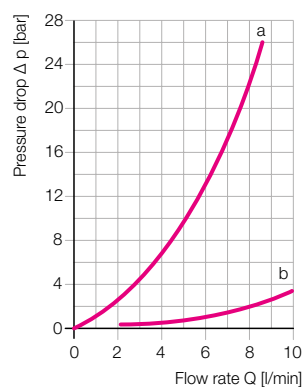
**2341 201**

Other switching functions on request

### Accessory

|                                |                |
|--------------------------------|----------------|
| Single mounting plate 3 x G1/4 | <b>3534039</b> |
|--------------------------------|----------------|

$\Delta p$ -Q characteristic curve for kinematic viscosity of  $53 \times 10^{-6} \text{ m}^2/\text{s}$  (HLP 22 at 20 °C)



a = directional control valve P → A and A → R  
 b = plug-in check valve

