



Directional Control Valves ND 4
electrically-operated, with socket adapter
max. operating pressure 500 bar (350 bar)



Technical data

Type	poppet valve hermetically sealed
Type of mounting	4 screws M 6
Tightening torque	9.5 Nm
Type of connection	Mounting plate see reverse

Hydraulic characteristics

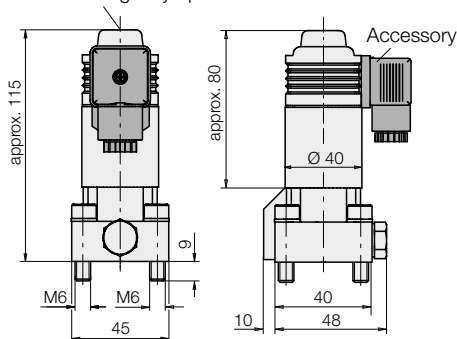
Adm. operating pressure	500 bar
Adm. flow rate	8 l/min
Direction of flow	only in direction of arrow as in symbol
Hydraulic oil	HLP 22

Electrical characteristics

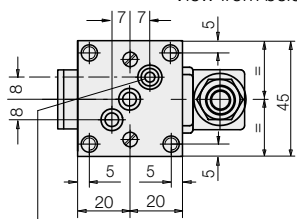
Nominal voltage +5%-10%	24 V DC
Inrush power	20 W
Holding power	20 W
Power consumption	20 W
Make time	100 ms
Brake time	50 ms
Max. cycles	2000/h
Duty cycle	100% ED
Code class	IP 54
Connection	for cable socket EN175301-803 Form A

2/2 and 3/2 directional control valves

Manual emergency operation



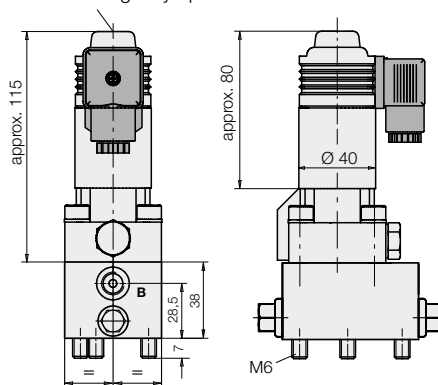
View from below



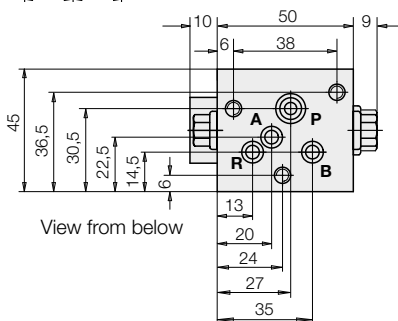
Bore hole for plug-in check valve

4/2 directional control valve

Manual emergency operation

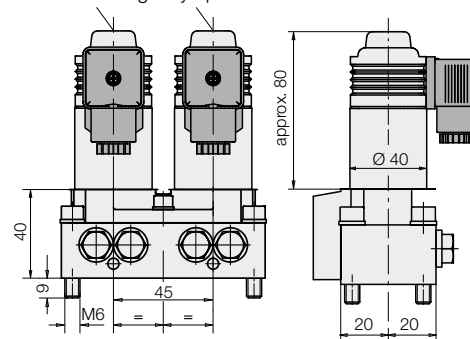


View from below

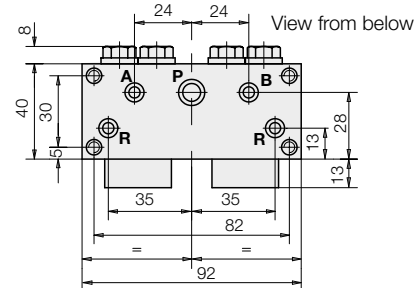


4/3 directional control valve*

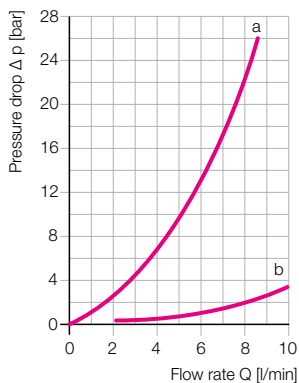
Manual emergency operation



View from below



Δ p-Q characteristic curve for kinematic viscosity of 53x10⁻⁶ m²/s (HLP 22 at 20 °C)



a = solenoid valve P → A and A → R
b = plug-in check valve

* max. 350 bar

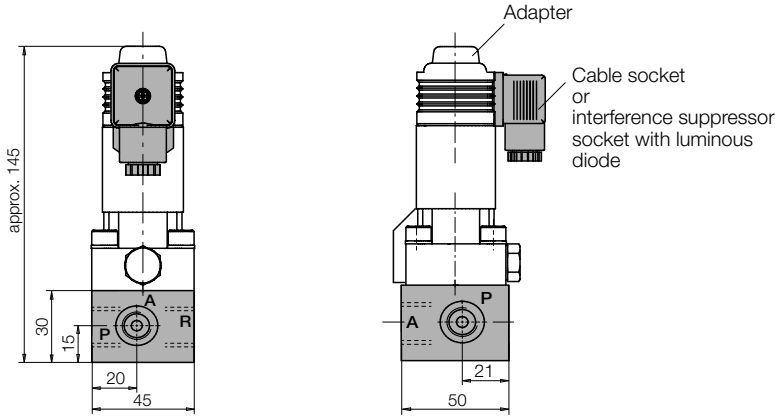
Description

Symbol

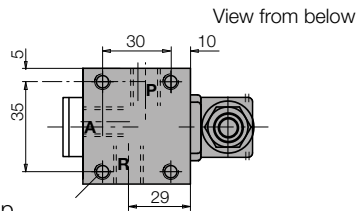
with socket adapter
Part no.

3/2 directional control valve GZ 3-1		2361 220
3/2 directional control valve GZ 3-1 R		2361 320
2/2 directional control valve GZ 2-1		2361 321
2/2 directional control valve GS 2-1		2361 322
3/2 directional control valve G 3-1		2362 220
3/2 directional control valve G 3-1 R		2362 320
4/3 directional control valve G 22-1*		2361 222
4/2 directional control valve G 4-1R		2362 220 +2360 114

Single mounting plate for 2/2 and 3/2 directional control valve



Ports
P, R, and A = G1/4



Accessories

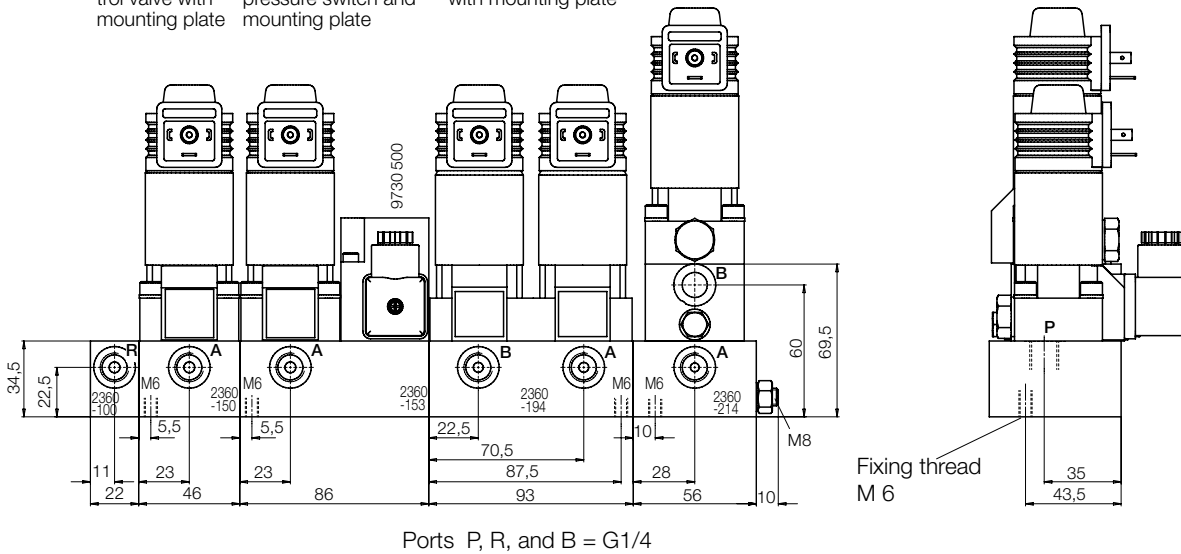
Accessories	Part no.
Cable socket as per EN175301-803 Form A	3141012
Interference suppressor socket with luminous diode	3141477
Adapter (spare part)	3141299
Plug-in check valve (spare part)	3815002
Single mounting plate	3534039

Sealing (spare part)

	Ports	O-ring	Part no.
2/2 and 3/2 directional control valve	P and R	8 x 1.5	3000343
	A	5 x 1.5	3000340
4/2 and 4/3 directional control valve	P	8 x 1.5	3000343
	A, B and R	5 x 1.5	3000340

Example for mounting plate combination

2/2 or 3/2 directional control valve with mounting plate
 3/2 directional control valve with pressure switch and mounting plate
 4/3 directional control valve with mounting plate
 4/2 directional control valve with mounting plate



Example of ordering:

- 1 off mounting plate combination consisting of:
- 1 off input plate
Part no. 2360 100
- 1 off series mounting plate
Part no. 2360 150
- 1 off series mounting plate
Part no. 2360 153
- 1 off series mounting plate
Part no. 2360 194
- 1 off series mounting plate
Part no. 2360 214
- 1 off threaded rod M8 x 1000*
Part no. 3300343

* Minimum length = 2 x total length of all mounting plates + 40 mm

