



**Hydraulic Pump**  
manually operated  
max. operating pressure 100, 200 and 500 bar



Type with foot lever, base and pressure gauge  
In connection with our clamping elements, workpieces can be clamped economically with this clamping pump.

Furthermore, this pump can be used for lifting loads, adjusting and clamping tables, as well as for other operating processes.

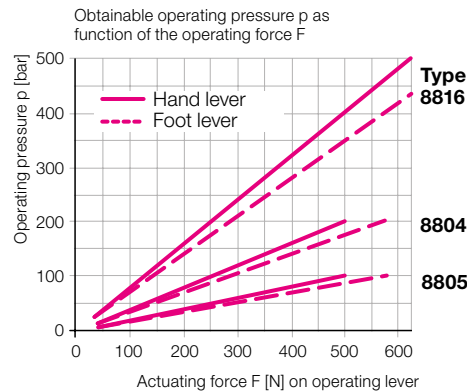
The particular advantages of this pump are:

- Choice of hand or foot operation
- Pumping and releasing with the same lever
- Continuously adjustable pressure relief valve
- Metallic seal on pump piston, thereby nearly wear-free
- Compact, self-contained design.

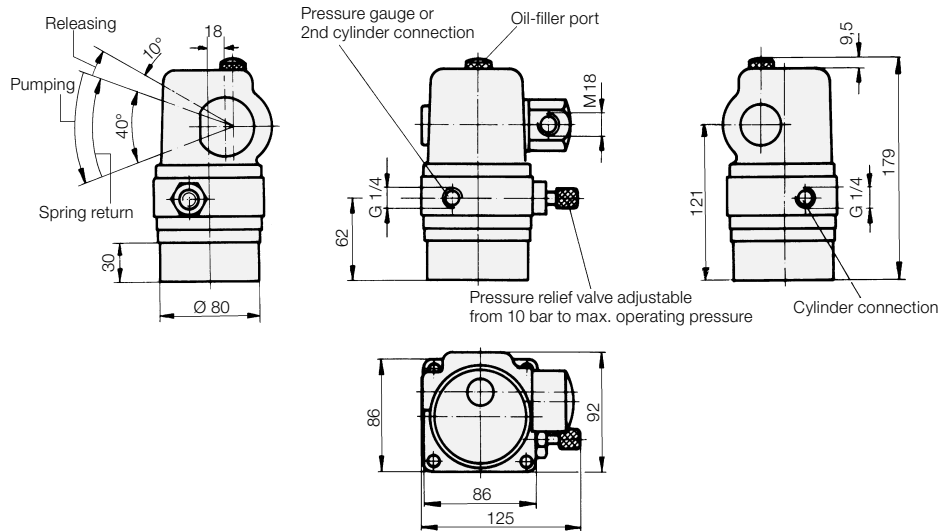
Delivery without accessories.

Hydraulic lifting pumps with safety hand or foot lever are assembled and ready for operation.

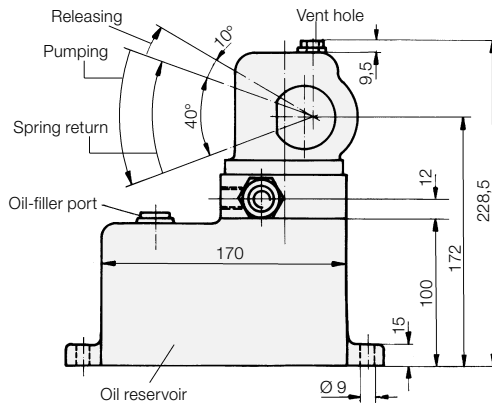
Accessory see page 2.



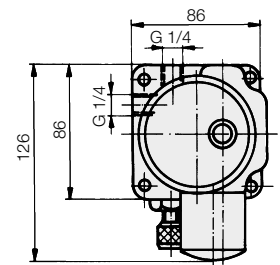
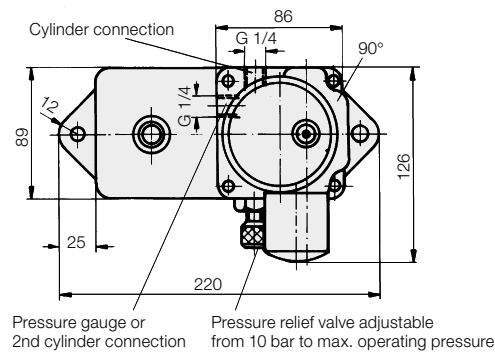
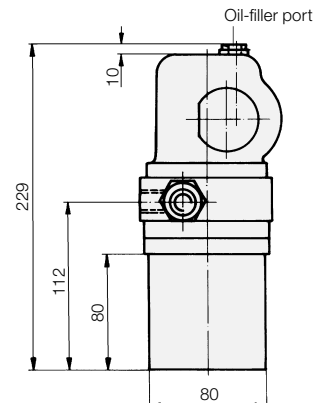
**Types 8804006, 8805006, 8816006**



**Types 8806006 and 8807006**



**Type 8808006**



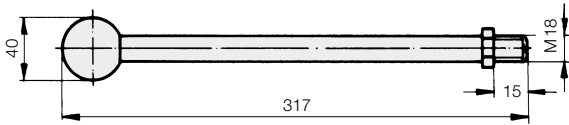
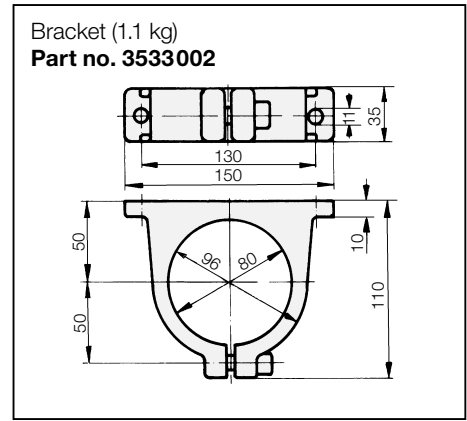
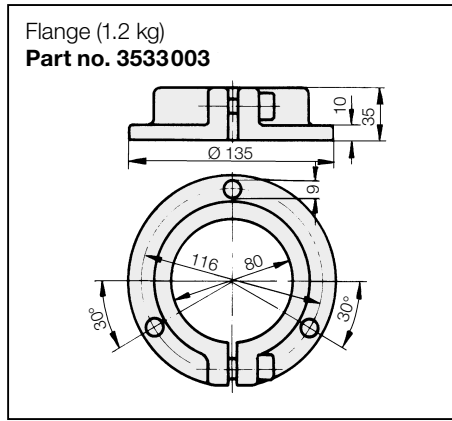
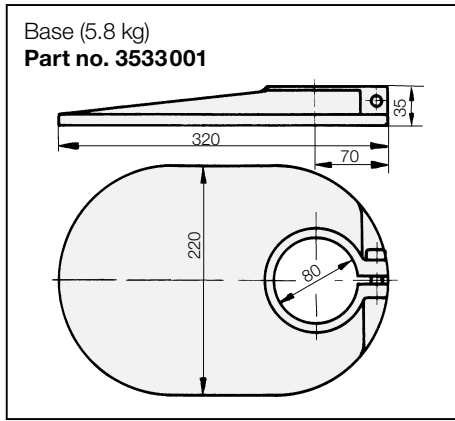
Max. operating pressure	[bar]	200	100	500	100	200	200
Oil volume	[cm <sup>3</sup> ]	300	300	300	970	970	400
Available oil volume	[cm <sup>3</sup> ]	150	150	150	750	750	250
Displacement per stroke	[cm <sup>3</sup> ]	4	8	2	8	4	4
Weight	[kg]	6.1	6.1	6.1	9.5	9.5	6.4
<b>Part no. (without accessory)</b>		<b>8804006</b>	<b>8805006</b>	<b>8816006</b>	<b>8806006</b>	<b>8807006</b>	<b>8808006</b>

## Accessories

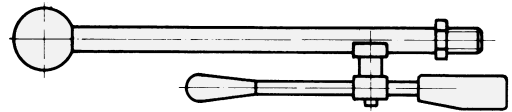
The following accessories with connecting fittings for the hydraulic pump must be ordered separately:

For pump type	8804006	8805006	8816006	8806006	8807006	8808006
Base plate	<b>Part no. 3533001</b>	<b>3533001</b>	<b>3533001</b>	-	-	<b>3533001</b>
Bracket	<b>Part no. 3533002</b>	<b>3533002</b>	<b>3533002</b>	-	-	<b>3533002</b>
Flange	<b>Part no. 3533003</b>	<b>3533003</b>	<b>3533003</b>	-	-	<b>3533003</b>
Foot lever	<b>Part no. 0990102</b>	<b>0990102</b>	<b>0990102</b>	<b>0990102</b>	<b>0990102</b>	<b>0990102</b>
Hand lever	<b>Part no. 0990103</b>	<b>0990103</b>	<b>0990103</b>	<b>0990103</b>	<b>0990103</b>	<b>0990103</b>
Pump unit with safety hand lever	<b>Part no. 8804026</b>	<b>8805026</b>	<b>8816026</b>	<b>8806026</b>	<b>8807026</b>	<b>8808026</b>
Pump unit with safety foot lever	<b>Part no. 8804016</b>	<b>8805016</b>	<b>8816016</b>	<b>8806016</b>	<b>8807016</b>	<b>8808016</b>
Pressure gauge with 90° elbow 0-250 bar	<b>Part no. 9811015</b>	<b>9811015</b>	-	<b>9811015</b>	<b>9811015</b>	<b>9811015</b>
Pressure gauge with 90° elbow 0-600 bar	<b>Part no. -</b>	<b>-</b>	<b>9811017</b>	-	-	-
Hydraulic oil HLP 32, 1l container	<b>Part no. 9895001</b>	<b>9895001</b>	<b>9895001</b>	<b>9895001</b>	<b>9895001</b>	<b>9895001</b>

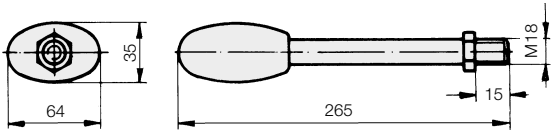
High-pressure hose see data sheet F 9.361



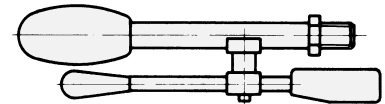
Hand lever  
**Part no. 0990103**



Safety hand lever \*



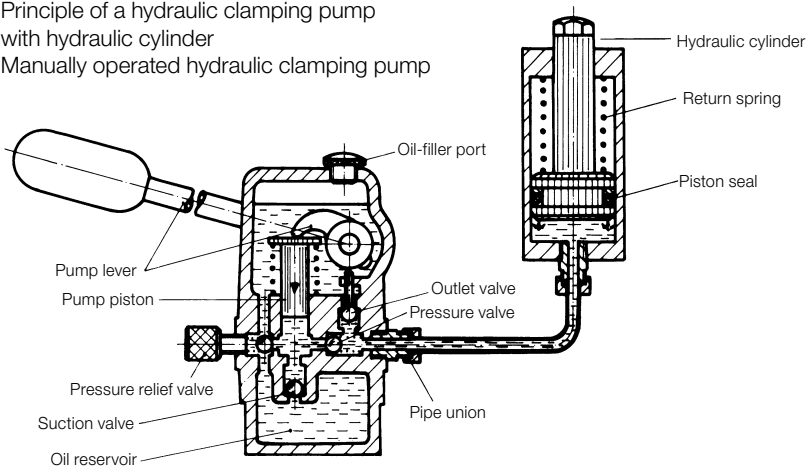
Foot lever  
**Part no. 0990102**



Safety foot lever \*

\* Delivery only together with hydraulic pump (see table)

Principle of a hydraulic clamping pump with hydraulic cylinder  
Manually operated hydraulic clamping pump



### Example for ordering

Hydraulic clamping pump with accessories,  
8 cm<sup>3</sup> displacement,  
100 bar operating pressure

Hydraulic clamping pump	<b>8805006</b>
Foot lever	<b>0990102</b>
Base	<b>3533001</b>
High-pressure hose 1.6 m	<b>9320601600</b>
Gauge with 90° elbow	<b>9811015</b>
Hydraulic oil	<b>9895001</b>

The pump supplied filled with oil.