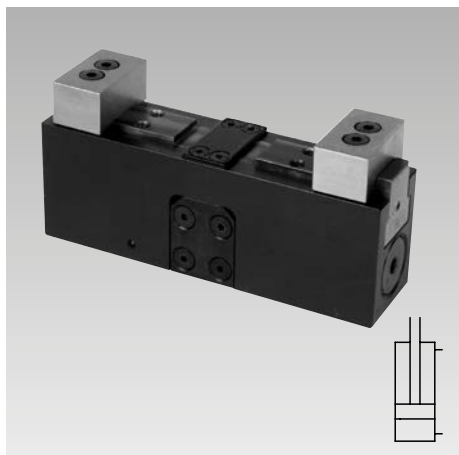




Fixture clamp, concentric clamping

max. clamping force 6.5 kN and 9 kN, jaw width 40 and 65 mm

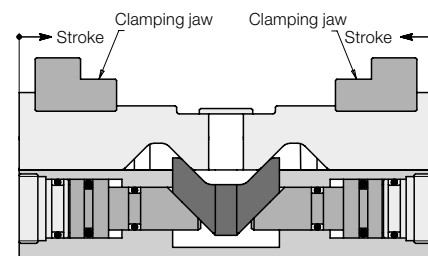
double acting, max. operating pressure 250 bar



Advantages

- Very compact design
- High rigidity
- Retention force higher than clamping force
- Repetitive accuracy ± 0.02 mm
- 2 sizes
- Strokes 2 x 5 and 2 x 8 mm
- Double-acting function
- Fixtures without tubes possible
- Exchangeable jaws
- Good swarf protection
- Port for central lubrication
- Mounting position: variable

Function



Application

The fixture clamps are used for machining of dimensionally stable workpieces in single or multiple clamping fixtures.

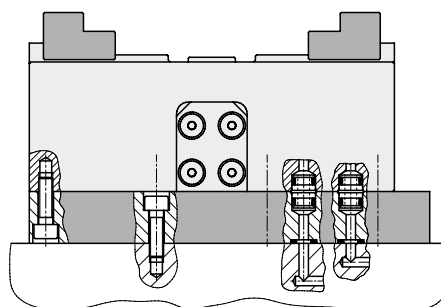
Due to their compact design they can be arranged in a very limited space. Fixture clamps are especially suitable for series manufacturing in automated mode.

The double-acting cylinder function combined with central lubrication and good swarf protection guarantees a high process safety.

Fixing from above

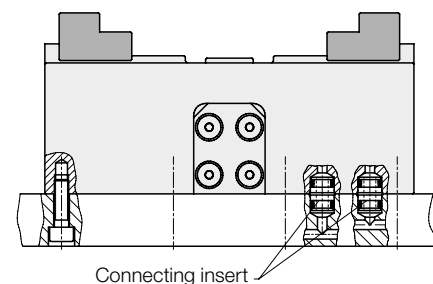
with accessory adaptor plate

Drilled channels



Fixing from below

Drilled channels



Description

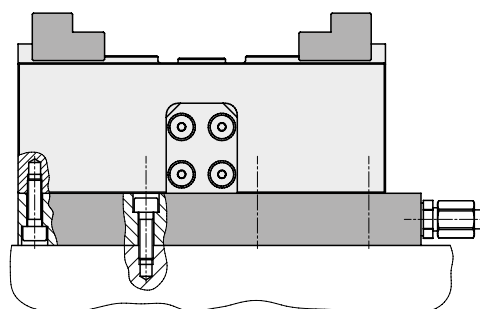
The fixture clamp with concentric clamping function consists of a very slim basic body with 2 integrated hydraulic cylinders.

The piston forces are transferred via a guided connecting link to the two clamping slides so that a centric synchronism is obtained.

All threads and ports are at the bottom to allow a space-saving arrangement of several clamping points in a very limited space.

If fixing from below is not possible an adaptor plate for manifold mounting or tube connection is available. As accessory also blanks of clamping jaws are available for adaptation to the workpiece contour.

Fitting connection



Accessories

Clamping jaws and adaptor plate are not included in the delivery of the fixture clamp and have to be ordered separately as accessory.

Important notes!

The fixture clamp is only suitable for exterior clamping.

Lubricate at the latest after 500 clamping cycles the clamping slide via the central lubrication.

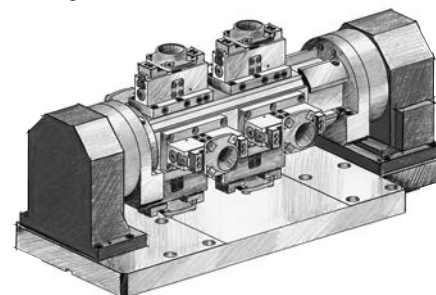
Never use the complete clamping stroke to guarantee safe clamping of the workpiece.

Max. operating temperature 80 °C.

Operating conditions and other data see data sheet A 0.100.

Application example

Concentric clamping of 8 flanges on a rotary indexing fixture.



Clamping force 6.5 kN • Clamping stroke 2 x 5 mm
Technical data • Accessories • Dimensions

Part no. 4413051

Technical data

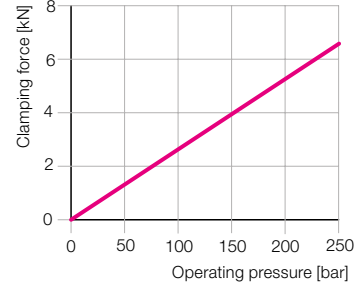
Clamping force / jaw	[kN]	6.5
Retention force	[kN]	8
Release force	[kN]	0.5
Min. operating pressure	[bar]	10
Clamping stroke	[mm]	2 x 5
Repetitive accuracy of clamping	[mm]	±0.02
Jaw width	[mm]	40
Max. flow rate	[cm ³ /s]	25
Stroke volume Clamping	[cm ³]	6.4
Unclamping	[cm ³]	3.2
Weight	[kg]	appr. 2.4

Adaptor plate (accessory)

Weight	[kg]	approx. 1.9
Part no.		0441305

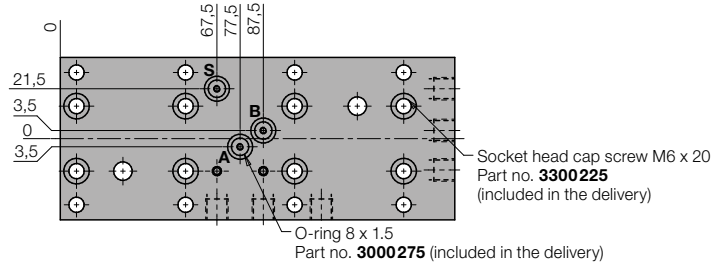
Clamping force diagram

(Height of the clamping jaw 15 mm)

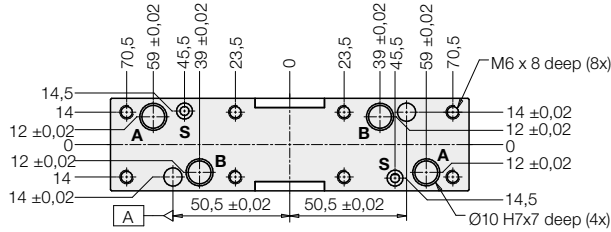


Accessory: adaptor plate

View from below



- A** = Clamping
- B** = Unclamping
- S** = Central lubrication

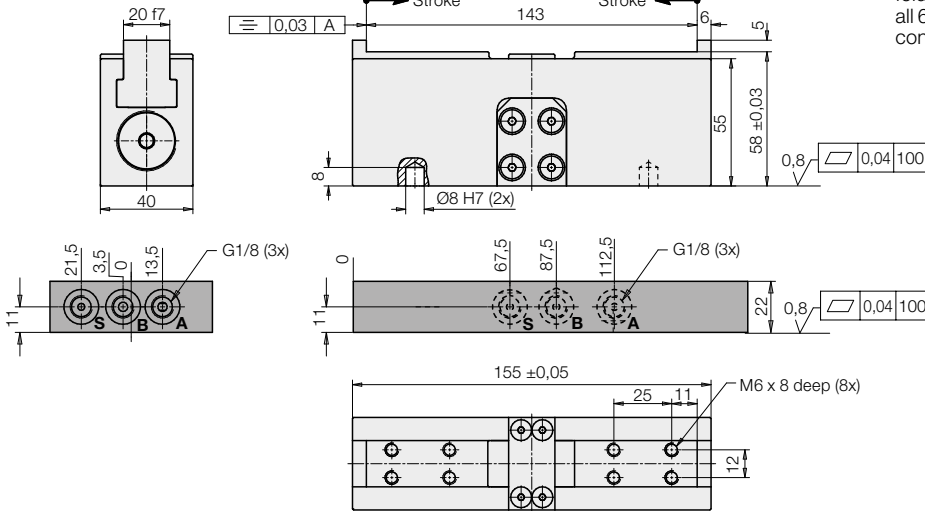


Clamping and unclamping
 each Ø10 H7 x 7 deep for
 4 x connecting insert **9210132**
 (included in the delivery),
 see also page F 9.300

Central lubrication
 2 x with O-ring **3001842** (5x1 mm)
 (included in the delivery)

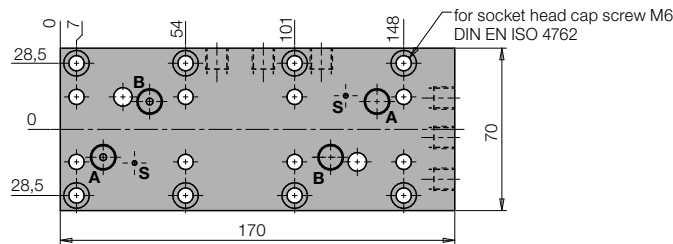
Important note!

If the fixture clamp is directly manifold-mounted without adaptor plate, all 6 ports (2xA, 2xB, 2xS) have to be connected individually.



Accessory: adaptor plate

Side views



Accessory: adaptor plate

View from above

Clamping force 9 kN • Clamping stroke 2 x 8 mm
Technical data • Accessories • Dimensions

Part no. 4413151

Technical data

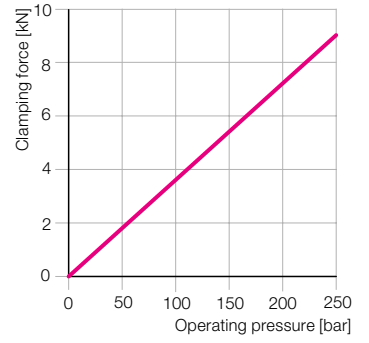
Clamping force / jaw	[kN]	9
Retention force	[kN]	15
Release force	[kN]	0.5
Min. operating pressure	[bar]	10
Clamping stroke	[mm]	2 x 8
Repetitive accuracy of clamping	[mm]	±0.02
Jaw width	[mm]	65
Max. flow rate	[cm³/s]	50
Stroke volume Clamping	[cm³]	14.2
Unclamping	[cm³]	6.0
Weight	[kg]	appr. 6

Adaptor plate (accessory)

Weight	[kg]	ca. 3.5
Part no.		0441315

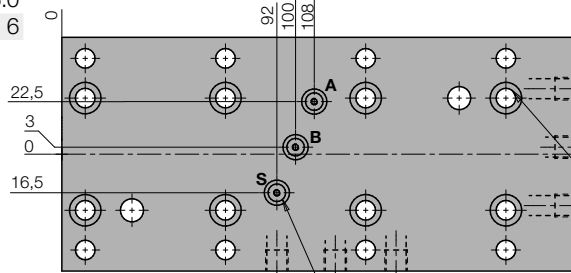
Clamping force diagram

(Height of the clamping jaw 25 mm)



Accessory: adaptor plate

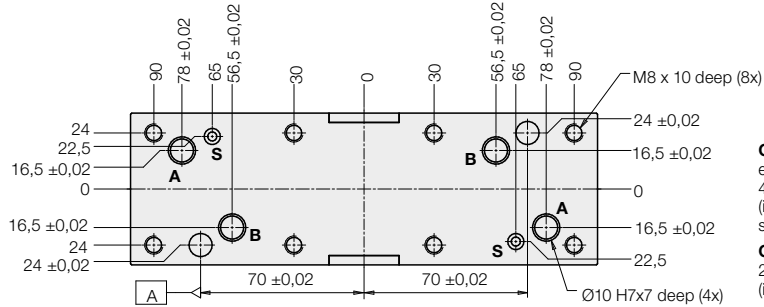
View from below



Socket head cap screw M8 x 20
 Part no. **3301263**
 (included in the delivery)

O-ring 8 x 1.5
 Part no. **3000275** (included in the delivery)

- A** = Clamping
- B** = Unclamping
- S** = Central lubrication

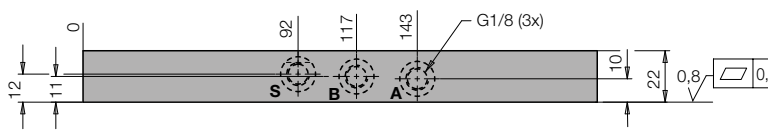
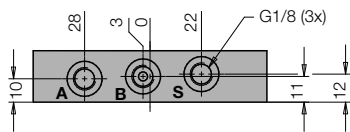
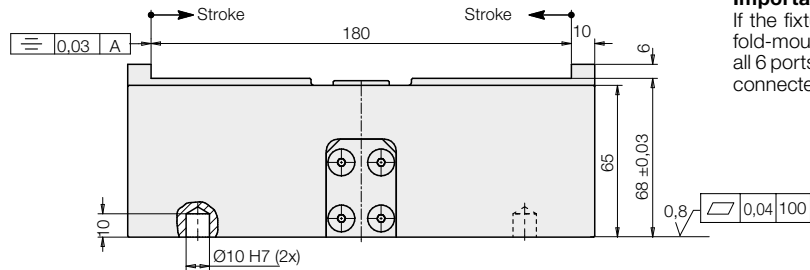
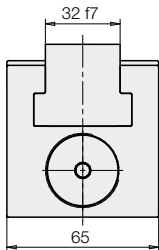


Clamping and unclamping
 each Ø10 H7 x 7 deep for
 4 x connecting insert **9210132**
 (included in the delivery),
 see also page F 9.300

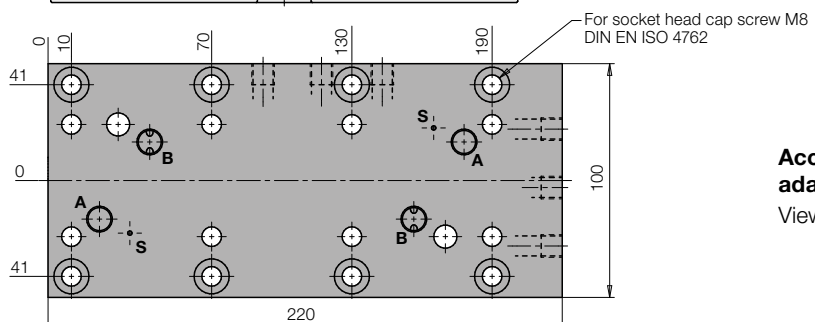
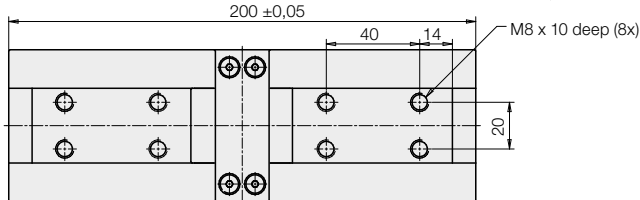
Central lubrication
 2 x with O-ring **3001842** (5x1 mm)
 (included in the delivery)

Important note!

If the fixture clamp is directly manifold-mounted without adaptor plate, all 6 ports (2xA, 2xB, 2xS) have to be connected individually.



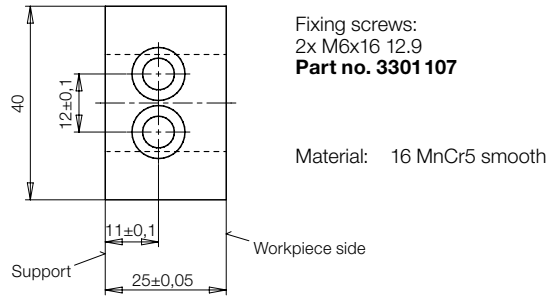
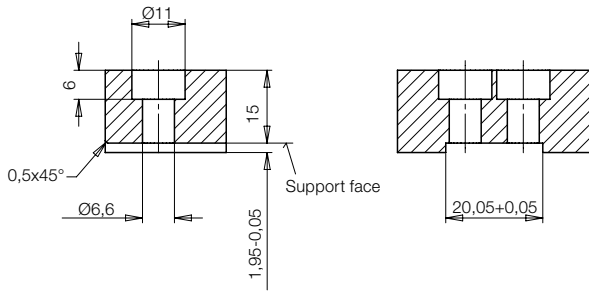
Accessory: adaptor plate
 Side views



Accessory adaptor plate
 View from above

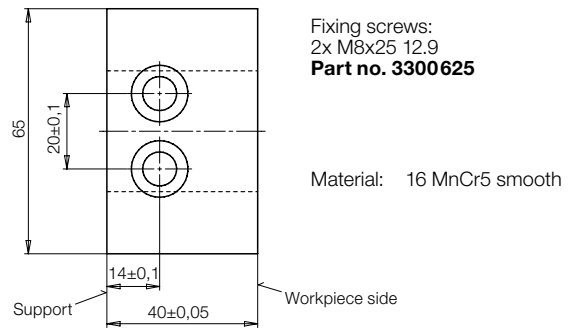
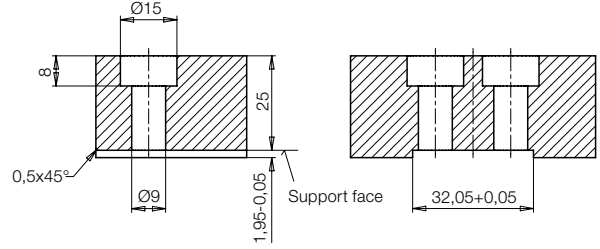
For fixture clamp 4413051

Clamping jaw blank 40 mm
Part no. 3548070



For fixture clamp 4413151

Clamping jaw blank 65 mm
Part no. 3548080



Self-made clamping jaws

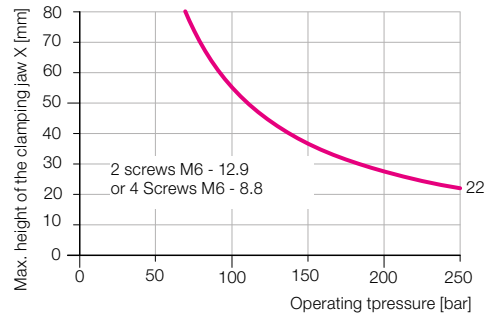
Clamping jaws are manufactured according to the contour of the workpiece to be clamped.

The max. height of the clamping jaw X at 250 bar operating pressure is indicated in the below diagrams.

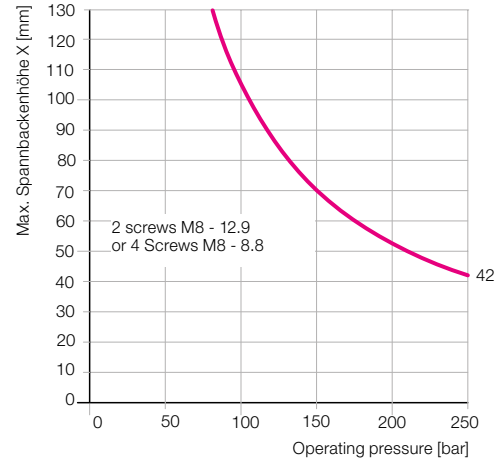
Important note

The clamping jaws must always contact the provided support, since the fixing screws are not in the position to compensate the generated clamping forces.

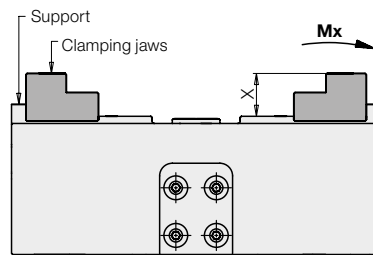
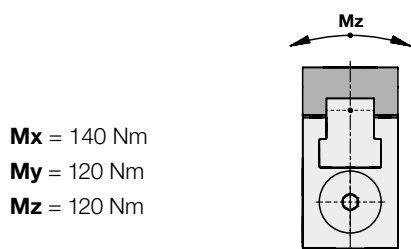
Max. height of the clamping jaw X for 4413051 as a function of the operating pressure



Max. height of the clamping jaw X for 4413151 as a function of the operating pressure



Admissible torques acting on the clamping jaws



Mx = 375 Nm
My = 200 Nm
Mz = 200 Nm

