



Adaptor Plates
for *modulog* interfaces

Adaptor plate DMH 140



Advantages

- *modulog* interface
- Simple vertical mounting of the rotating module - horizontal axis DMH
- Easy mounting
- Standard plate

Application

The adaptor plate DMH 140 allows vertical mounting of the rotating module - horizontal axis DMH 200 on modules with a modulog interface 140 x 140.

Material

steel, black oxide

Note

The fixing screws M10 are not included in our delivery.

modulog

Adaptor plate

for rotating modules DMH 200

Part no. 6311-326



modulog interface

- 140 x 140 mm – M10

Mounting scheme - example



Rotating module - horizontal axis DMH with interface
95 x 50 mm – M10

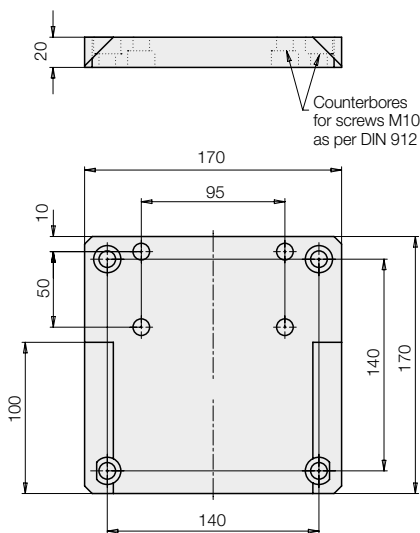


Adaptor plate **DMH 140**



Lifting module with top plate interface
140 x 140 – Ø 10.5 mm

Dimensions



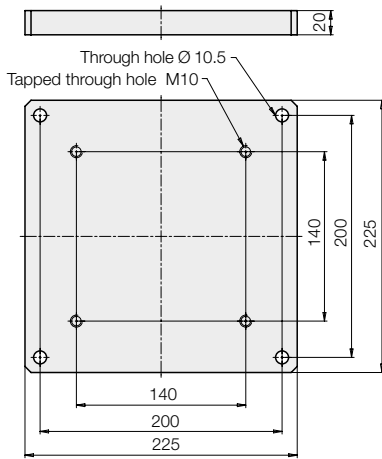
Application example



Rotating module - horizontal axis DMH 200 vertically mounted on a lifting module Shop-Floor

Adaptor Plates

Adaptor plate 140 – 200



Advantages

- Simple mounting of *modulog* modules with different interfaces
- Easy mounting
- Standard plate

Application

By means of the adaptor plate 140 – 200 modules with a 140 x 140 mm *modulog* interface can be mounted onto a 200 x 200 mm *modulog* interface.

For example a rotating module - vertical axis on a cart or floor module.

Material

steel, black oxide

Note

The fixing screws M10 are not included in our delivery.

modulog

Adaptor plate

Interface 140 to 200

Part no. 6311-417



modulog interface

- 140 x 140 mm – M10
- 200 x 200 mm – Ø 10.5 mm

Mounting scheme - example



Rotating module - vertical axis DMV with interface
140 x 140 mm – M10.5

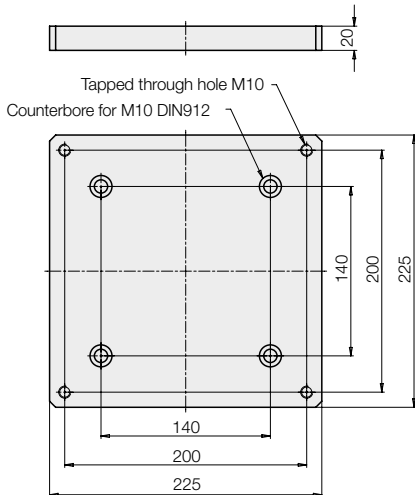


Adaptor plate **140 – 200**



Cart module WMS with interface
200 x 200 – M10

Adaptor plate 200 – 140



Advantages

- Simple mounting of *modulog* modules with different interfaces
- Easy mounting
- Standard plate

Application

By means of the adaptor plate 200 – 140 modules with a 200 x 200 mm *modulog* interface can be mounted onto a 140 x 140 mm *modulog* interface.

For example a lifting module on a rotating module - vertical axis.

Material

steel, black oxide

Note

The fixing screws M10 are not included in our delivery.

modulog

Adaptor plate

Interface 200 to 140

Part no. 6311-423



modulog interface

- 200 x 200 mm – M10
- 140 x 140 mm – Ø 10.5 mm

Mounting scheme - example



Lifting module with base plate interface
200 x 200 mm – Ø 10.5

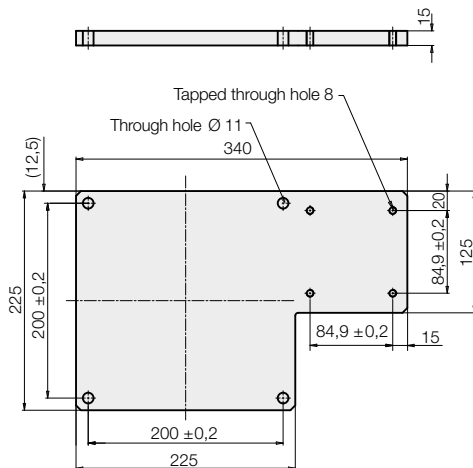


Adaptor plate **200 – 140**



Rotating module - vertical axis DMV with interface
140 x 50 mm – M10

Adaptor plate 6312-748



Advantages

- Easy installation of indexing with foot pedal
- Easy mounting
- Standard plate

Application

The indexing mechanism of the rotating modules can be fixed on the floor with the adaptor plate 6312-748. With the adaptor plate, all foot pedals for rotating and tilting modules such as per data sheet M 1.101 can be quickly and safely fixed.

The application is optimised for cart modules below the base plate of lifting modules.

Material

aluminium, black anodised

Note

The fixing screws M8 are not included in our delivery.

modulog

Adaptor plate

Pedal-operated indexing

Part no. 6312-748



modulog interface

- 200 x 200 mm – Ø 10.5 mm